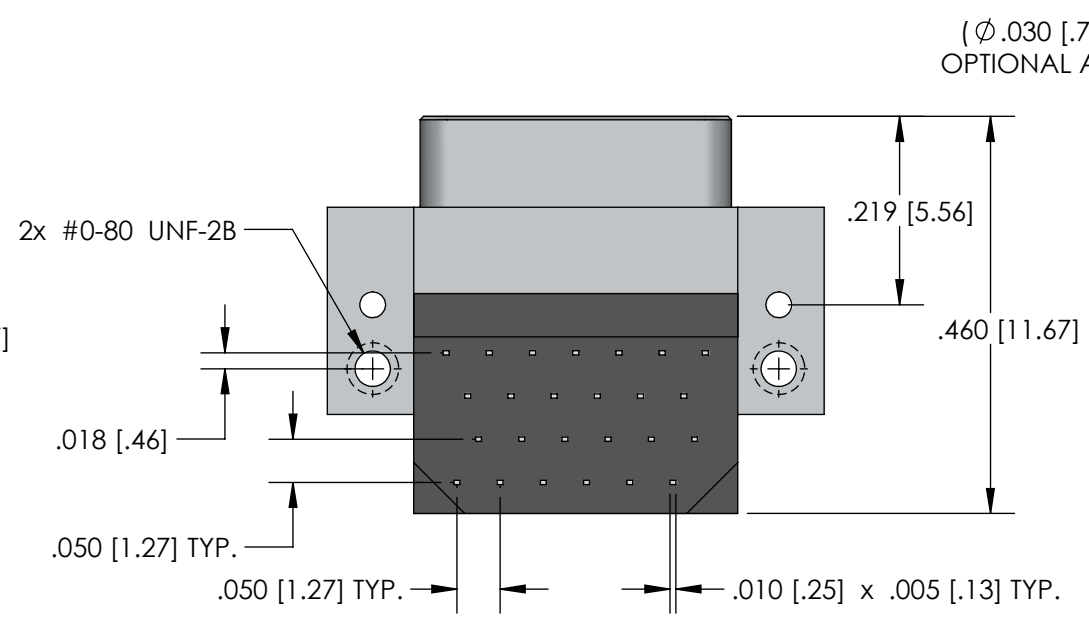
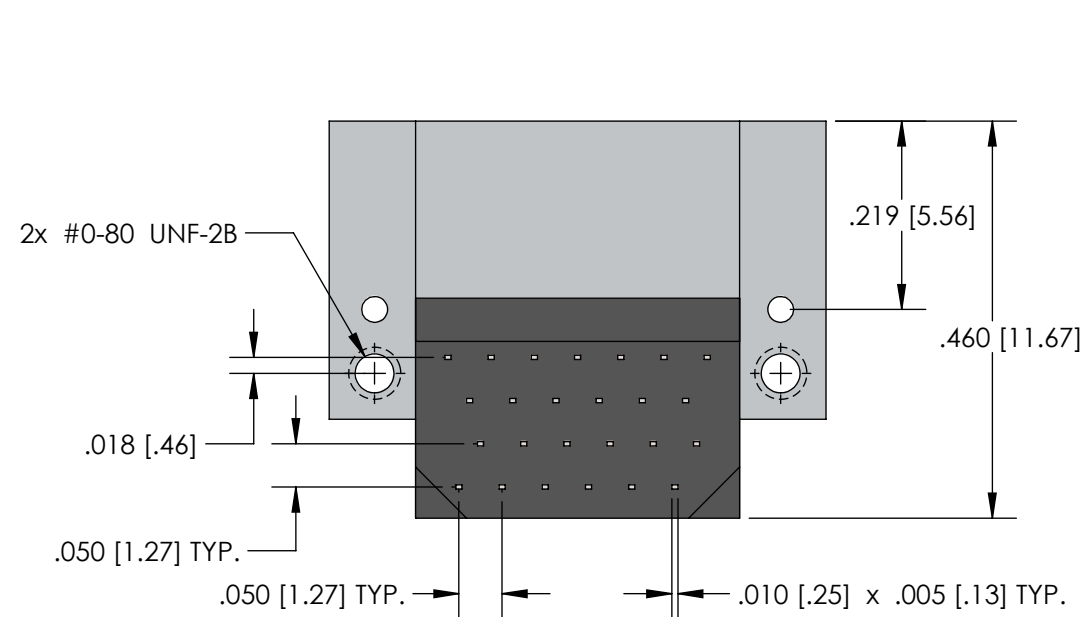


RECEPTACLE (SOCKETS)

PLUG (PINS)



(ϕ .030 [0.76] x .030 [0.76])
OPTIONAL ALIGNMENT POST

